

PRODUCT DATASHEET

LVED PFM LN 65W/220-240DS VS150 TR LEDV

LINEAR DIP SWITCH LED DRIVER



AREAS OF APPLICATION

- Indoor office lighting
- Decorative lighting
- Commercial lighting

PRODUCT FAMILY FEATURES

- Rated input voltage range 220~240Vac
- Flicker Free
- PF 0.95
- DIP Switch (200mA - 250mA - 300mA - 350mA)
- EU standard, plastic casing
- 5-year warranty (Please refer to the warranty condition.)
- Suitable for Class I light fixtures

TECHNICAL DATA

General

Model Name	LVED PFM LN 65W/220-240DS VS150 TR LEDV		
Driver Basic Code	AC54709	Product Category	Non-dim
Region	EU	Product Installation Type & Location	Build in
Certification and Report	CB, CE, ENEC, ROHS, REACH, EMC,	Glow Wire Test Temperature ACC / IEC 60695-2-11	850°C
Indoor / Outdoor	Indoor	Contains Dangerous Good (Yes / No, If yes, list out)	No
IP Level	IP20	Remote Control	No
Protection Class	Class II	Smell	No noticeable smell
Other Requirements	1. EMI must meet Build in application even though product is independent application; 2. Must be meet EMC requirement when the input power is between 5w and 25w which is not at full load.		

Electrical Data

Requirement	Condition	Rated Value	Tolerance	Unit
Rated Input Voltage		220-240	±10%	VAC
Input Voltage Range		198-264		VAC
DC Input Voltage		/		VDC
Input Current		400	±10%	mA
Product Input Power		70	max	W
Stand-by Power		<0.5		W
No Load Power		<0.5		W
Rated Frequency		50 / 60	50 / 60	Hz
Start Time	Rated voltage	<0.5		s
Power Factor (PF)	Rated voltage	>0.95		
Displacement factor (DF)	Rated voltage	>0.9		
Total harmonic distortion (THD)	Max Load	<20	Max	

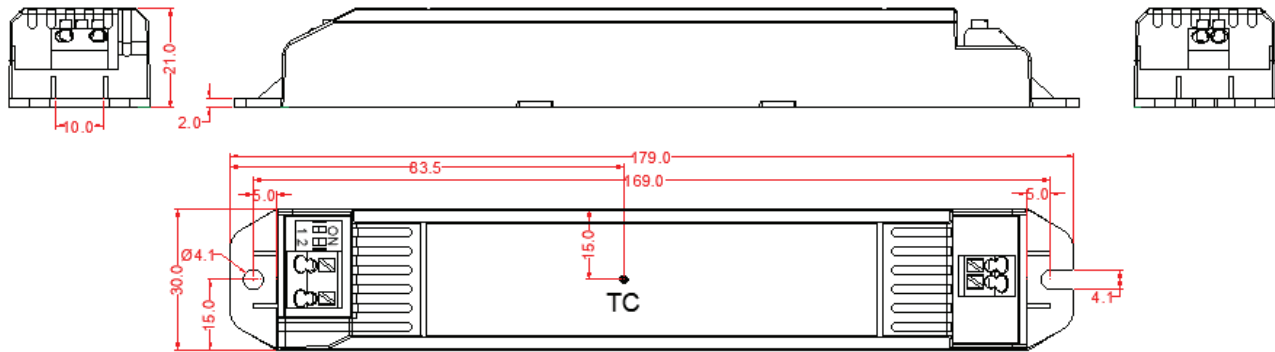
Output Current	Steady state	200-250-300-350		mA
Output Voltage		100-185		v
Auxiliary Output		/		
Output current/voltage tolerance	Full load and min load	±5		%
Output Power	Steady State	65		W
Driver Efficiency	Full load and min load	92% for all load	min	%
Output ripple current percentage	Full load((Imax - I min) / (Imax + I min) *100%)	5		%
Open circuit voltage(OCV)		<230		v
Open circuit frequency		/		KHz
Output frequency (only for ballast product)		/		KHz
PST/SVM		PST<1, SVM<0.4		
Noise Level	Test at 20cm with noise testing equipment	Single Product: <20		dB
Dimming method and range	For all level load			
Surge Voltage capability	General requirement has to fulfill criteria A and B Otherwise, highlight it specially		L/N: 1000V	
Voltage dip	General requirement has to fulfill criteria A and B Otherwise, highlight it specially		B	
Hi-Pot/Insulation resistance (For Production line control only)			no	
Over Temperature Protection		Yes (protection by driver IC component), and the OTP point of Tc		
Output circuit short protection			yes	
Output circuit open protection			yes	
Output circuit over voltage Protection			yes	

Lifetime and Application Environment

Requirement	Condition	Rated Value	Unit
Declared lifetime	Full load with max Tc	50000h	hrs
Ambient Temperature Range (Ta)		-20 ~ + 50	°C
Tc temperature of Product under Ta max	max	90	°C
Storage Temperature Range (Ta)		-40 ~ + 85	°C
Max. Tc temperature of driver in fault condition		/	°C
Operating humidity		5 ~ 95%	%
Storage humidity	Product	5 ~ 95%	%
Switching Cycle	0.5min on /0.5min off cycle	25000	Times
Warranty year	24hrs / day	5	Years

Note: After triggering OTP, there is a flashing light phenomenon on the input switch

Dimensions & Weight

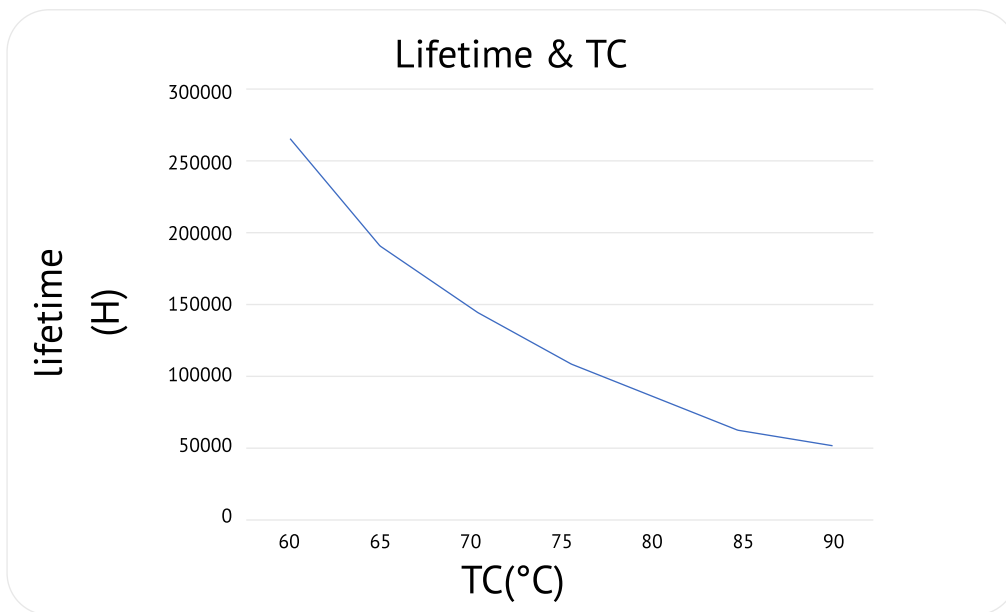


Length	179 mm	Weight	/
Width	30 mm	Diameter	/ mm
Height	21 mm	Cable Length & Size of LED Driver Output	/

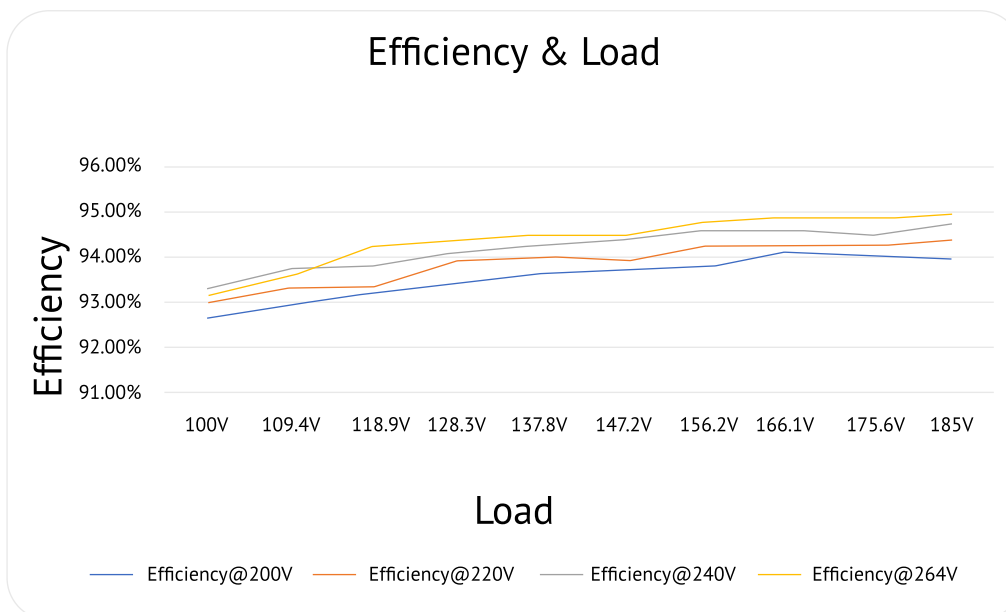
Describe product outer material information and RAL color Nr.
 Describe Terminal drawing and specification
 Describe fast connetor type and specification
 Describe Accessories dimension

Curve

Lifetime VS tc

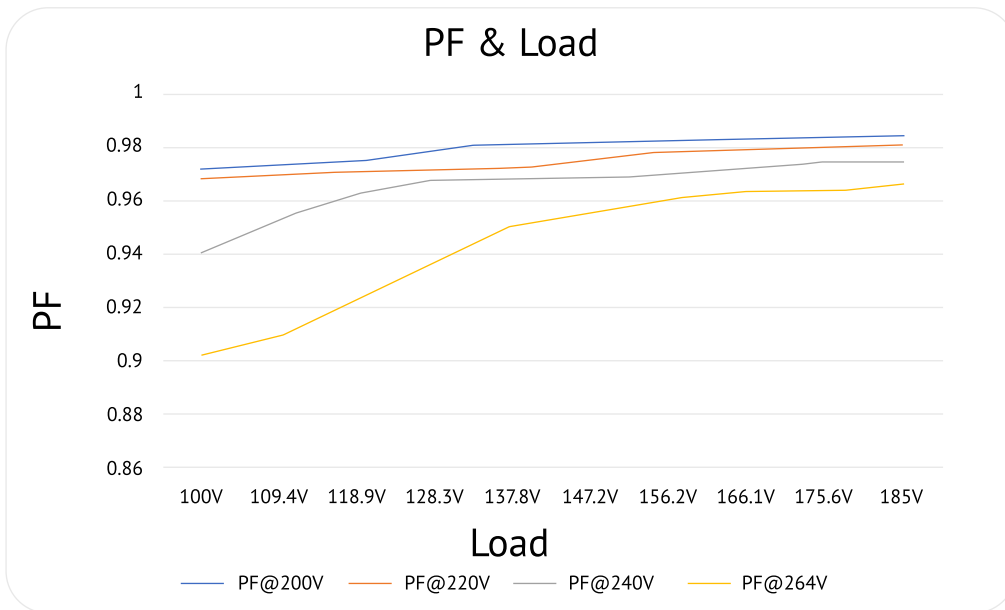


Efficiency VS load



Curve

PF VS load



iTHD VS load

