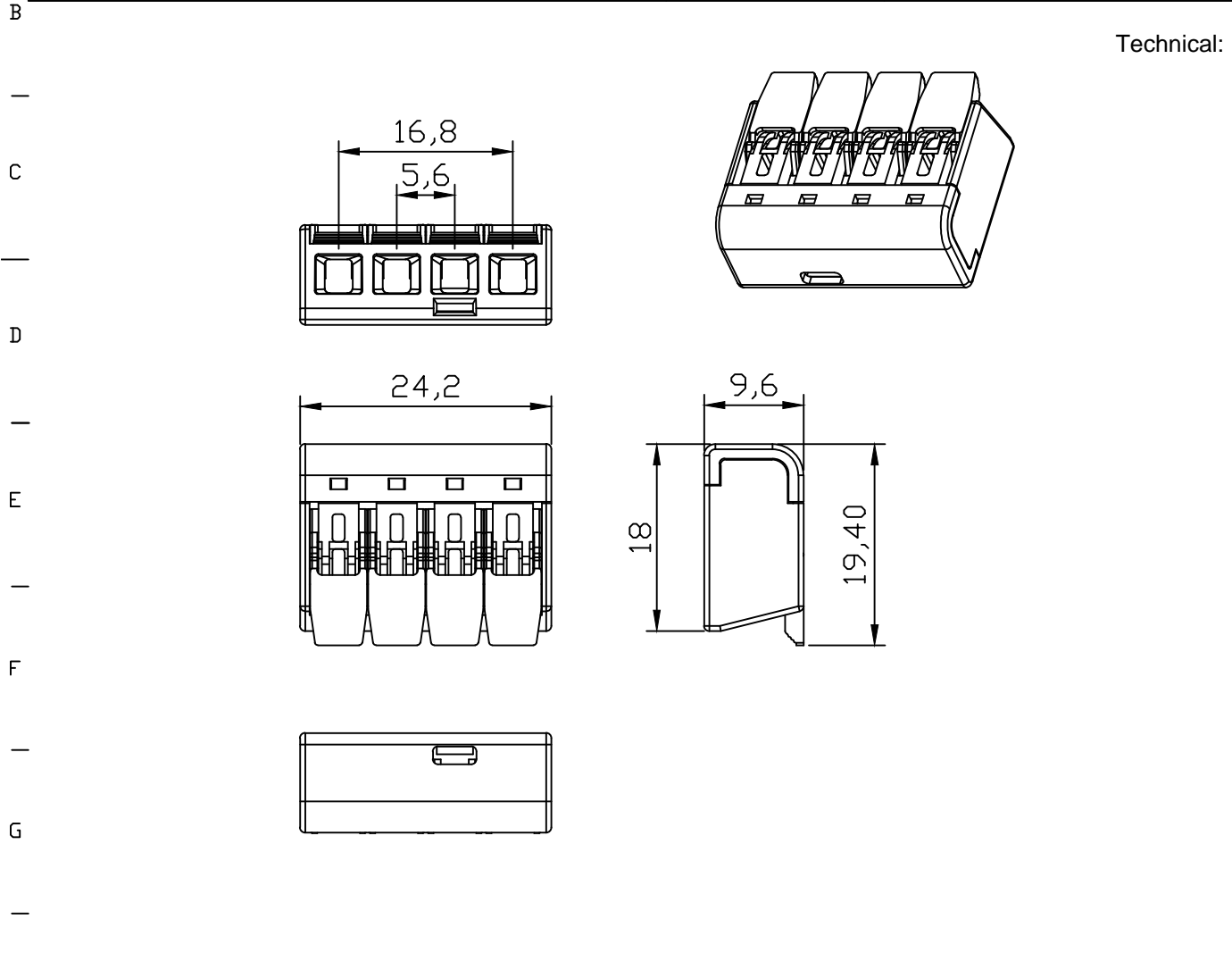


1	2		3	4	5	6	7	8		
Xiamen Fucon Electronics CO.,LTD			Tolerance		Production model		Unit	mm	NO	3
			0,000				Ratio	1:1	Date	2019-06-18
			0,00	± 0,05			View			
			0,0	± 0,10						
			0,	±					A0	
ANGLE	±1°									



Technical:

Part No.	CM-221-4P
Type	Splicing Connectors
Rated Voltage	450V
Rated Current	32A
Cable range	Solid: 0.2-4 sq.mm
	Soft: 0.14-2.5 sq.mm
Stripping length	11-12mm
Temperature	-20-105°C
Heating	No more than 45°
Plastic	LCP
Contact	Copper
Spring	Stainless steel

1	2		3	4	5	6	7	8
Approved by:	Liu JunShan		Inspected By:	He Yue	Made By:	Zhou Gang		